

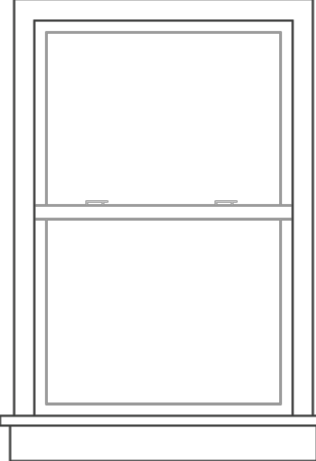
# MEASURING WORKSHEET

Measure to 1/8" accuracy.  
Measure window intended for blind.  
Use a 3/4" or 1" metal tape.  
Print worksheet copies as needed.

**Window # \_\_\_\_\_**

Room Name: \_\_\_\_\_

Width: \_\_\_\_\_ (inches)



Height: \_\_\_\_\_ (inches)

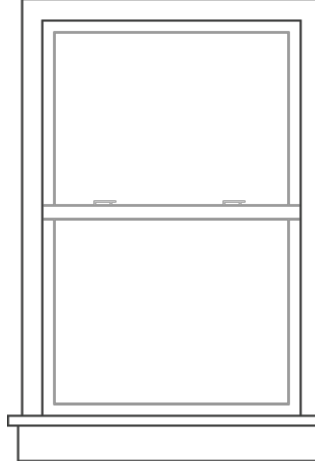
Mount (circle one):  
INSIDE / OUTSIDE

Window Notes: \_\_\_\_\_  
\_\_\_\_\_  
\_\_\_\_\_

**Window # \_\_\_\_\_**

Room Name: \_\_\_\_\_

Width: \_\_\_\_\_ (inches)



Height: \_\_\_\_\_ (inches)

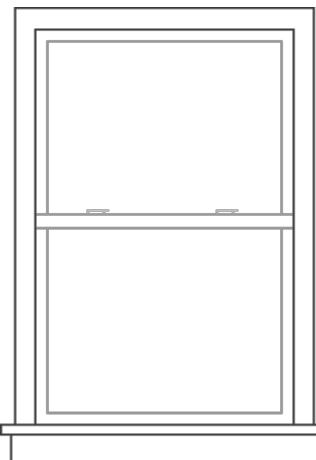
Mount (circle one):  
INSIDE / OUTSIDE

Window Notes: \_\_\_\_\_  
\_\_\_\_\_  
\_\_\_\_\_

**Window # \_\_\_\_\_**

Room Name: \_\_\_\_\_

Width: \_\_\_\_\_ (inches)



Height: \_\_\_\_\_ (inches)

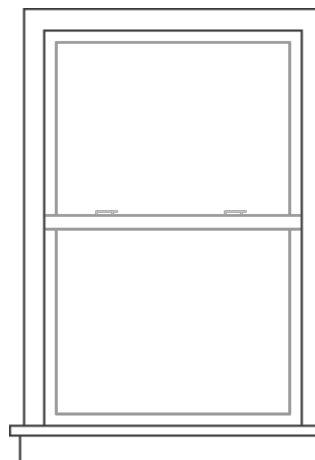
Mount (circle one):  
INSIDE / OUTSIDE

Window Notes: \_\_\_\_\_  
\_\_\_\_\_  
\_\_\_\_\_

**Window # \_\_\_\_\_**

Room Name: \_\_\_\_\_

Width: \_\_\_\_\_ (inches)



Height: \_\_\_\_\_ (inches)

Mount (circle one):  
INSIDE / OUTSIDE

Window Notes: \_\_\_\_\_  
\_\_\_\_\_  
\_\_\_\_\_